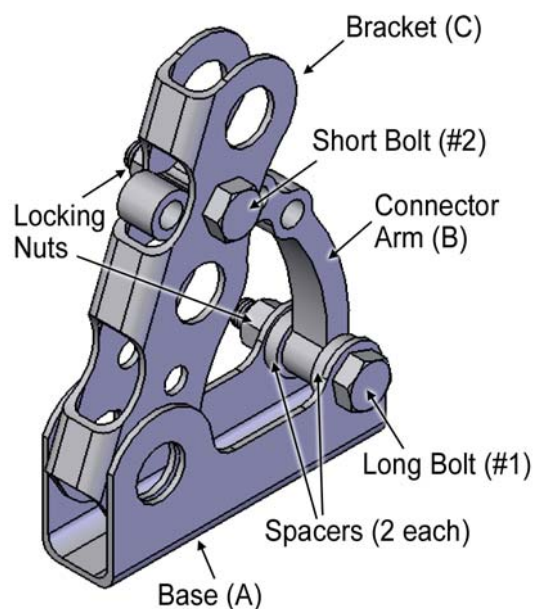
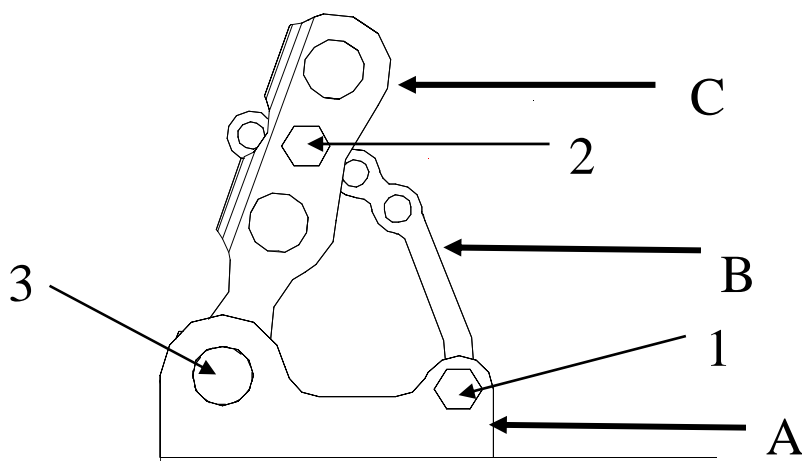


Assembly Instructions for #225 Pipe Style Snow Guards

1. Slate, Shingle, and Concrete Tile Installation. (#225)

- A. Brackets can be mounted onto the plate (using the hex bolts) before or after the plate has been screwed or bolted to the roof deck.
- B. Plates should be securely bolted or screwed to the roof in place of a shingle or tile
- C. Consult with manufacturer, project engineer or fastener company to determine the fastener required to attach the base plate to the sub-structure.
- D. Bolt the bottom piece of the bracket (A) to the base plate.
- E. Attach connector (B) to base piece by bolting through hole (1) in the base piece.
- F. Connect pipe bracket (C) to connector (B) by bolting through hole (2) using the bolt supplied.
- G. Insert tubing through the holes in the pipe bracket (C). The hole (3) in the bottom piece (A) and in the pipe bracket (C) will line up and have one pipe fed through both. The first pipe installed should be fed through this hole. This will stabilize the bracket for the rest of the installation.
- H. Brackets are usually adjusted so that the pipes are perpendicular to the ground. Check with architect or owner for final approval.



2. Locking Collars, End Caps, and Ice Flags (optional)

- A. Locking collars (#65) should be placed over each end of each line of tubing. Center the tubing on the snow guards and tighten the set screw on the collar until it no longer slips.
- B. End caps (#56) are installed by pressing the cap into the end of the pipe.
- C. Ice flags (#95), if used, should be placed over the top tube so that the long leg rests against the uphill side of both tubes. Use the carriage bolt and nut to hold the ice flag in position.

Snow Guard Layout for Pipe Style Brackets

- * Contact the manufacturer for recommended layout.
- * Do not install runs than 100 feet long without a break to allow for thermal expansion.
- * First row of snow guards is installed above outer most wall or support of the building.
- * Tubing is 1" O.D. aluminum.
- * Brackets are made of aluminum, brass or stainless steel.

#225 Pipe-Style Snow Guard for Tile/Shingle/Shake Roofs