



ALPINE SNOWGUARDS™

www.alpinesnowguards.com

Alpine SnowGuards
 289 Harrel Street
 Morrisville, VT 05661
 Toll Free Phone 1.888.766.4273
 Toll Free Fax 1.888.766.9994
 Web www.alpinesnowguards.com
 E-mail info@alpinesnowguards.com

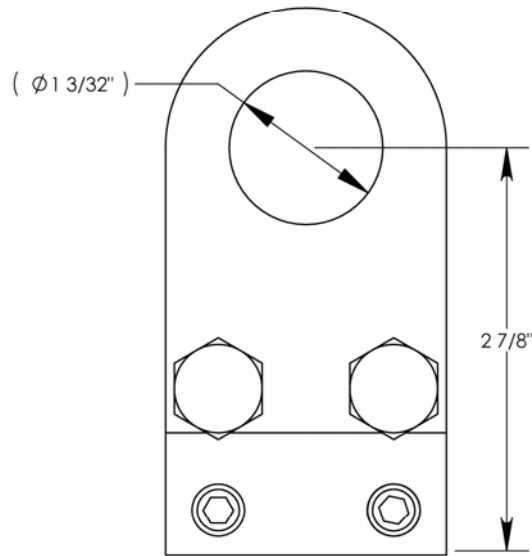
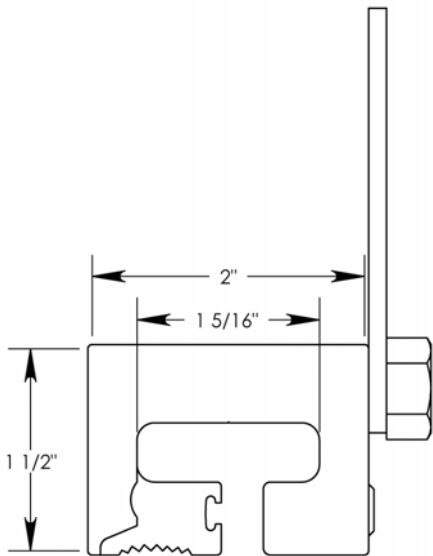
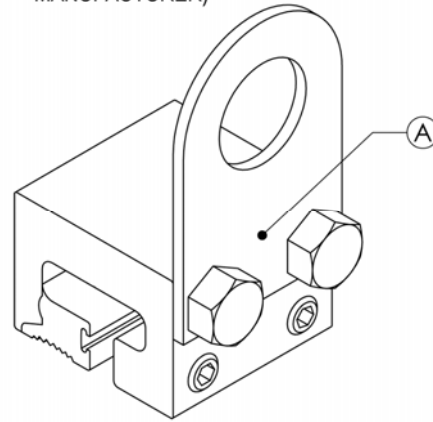
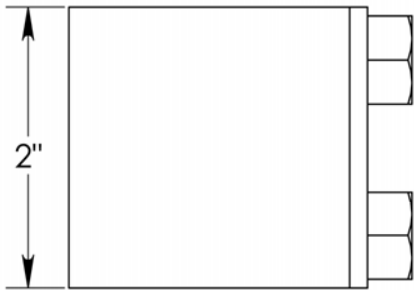
07 52 53 Snow Guards

NOTES:

1. INSTALLATION TO BE COMPLETED IN ACCORDANCE WITH MANUFACTURER'S SPECIFICATIONS.
2. DO NOT SCALE DRAWINGS.
3. CONTACT MANUFACTURER FOR DETAILED LAYOUT.

REVISIONS		
REV.	DESCRIPTION	DATE
A	REVISED FLAG DESIGN	1/1/2006

- | | |
|---|---|
| <input checked="" type="checkbox"/> SELECT DESIRED FINISH | <input checked="" type="checkbox"/> SELECT DESIRED OPTIONAL ACCESSORY |
| <input type="checkbox"/> MILL (STANDARD) | <input type="checkbox"/> ICE FLAG |
| <input type="checkbox"/> POWDER COAT | <input type="checkbox"/> END CAPS |
| <input type="checkbox"/> ANODIZED | <input type="checkbox"/> END COLLARS |
| <input type="checkbox"/> CUSTOM (CONTACT MANUFACTURER) | |



I have verified that this clamp/bracket will fit the seam for this project.

Project Name: _____

Signature: _____ Date: _____

#2000T2K One-Pipe Clamp to the Seam Snow Guard for Standing Seam Metal Roofs