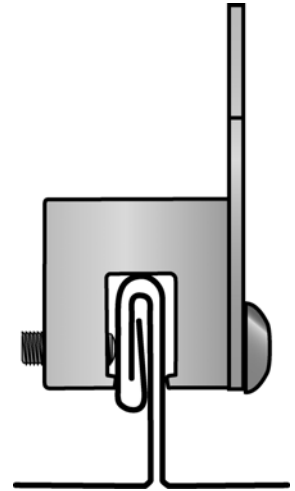


Installation Instructions for #2000 Pipe Style Snow Guards

I. Bracket Installation

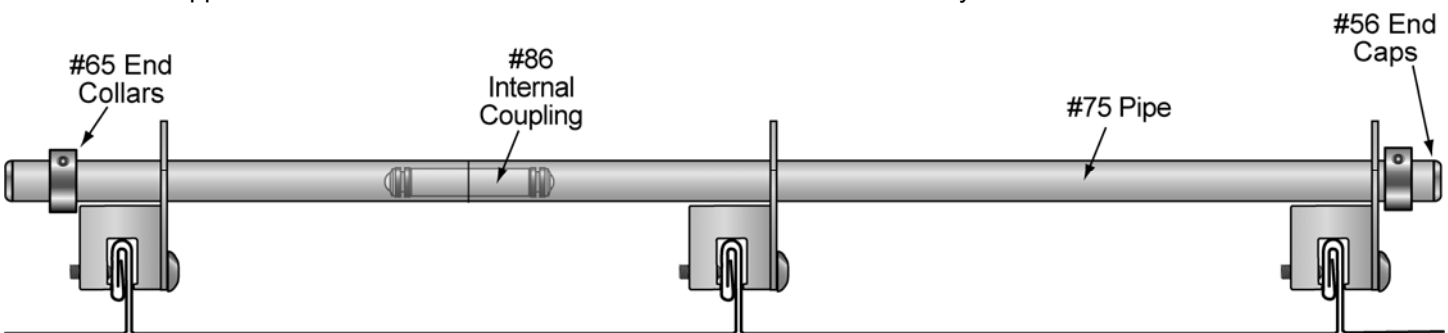
1. When attaching clamps to seams which are machine folded (regardless of panel profile and geometry), the S-5-U clamp is designed to engage the seam as shown for horizontal seam applications. Seams must be $\geq 1"$ high and the gap between the male and female parts of the rib must be $\leq .25"$. The set screws must fully engage all parts of the rib.
2. NOTE: Some horizontal seams may require additional hand crimping at the clamp location. Consult your S-5! distributor for crimping tool information.
3. Determine which side of the clamp to load the set screws into, and assemble both set screws into the same side of the clamp.
4. Position the clamps appropriately on the panel seam. Using a 3/16" allen-wrench attachment tip for a 1/4" drive screwgun, tighten and retighten set screws as the seam material compresses. (These screwgun tips are available from your S-5! product distributor). On low seam profiles, a 4" bit extension on the screwgun will facilitate this work. Most industrial grade screwguns are rated at 115 inch-pounds tightening torque and will deliver between 115 and -lbs (13-17Nm) at the *highest torque setting*. Please see ultimate load table for proper screw tensions and caution notes for various panel seams.
5. **CAUTION:** Battery-operated guns may not deliver consistent screw tension. Drywall guns may not deliver adequate tension.
6. Insert the 1" o.d. tubing through the holes in the uprights.
7. See Pipe Coupling Installation instructions for installing the 1" o.d. tubing.



II. Locking Collars, End Caps, and Ice Flags (optional)

See the Pipe Accessories Installation document for instructions on using the Internal Coupling (#86), End Caps (#56), End Collars (#65) and Ice Flags (#96).

*Please note: If it is necessary to unassemble and reassemble the #2000 bracket, the bolts that hold the flag onto the bracket in the upper holes and the bolts in the lower holes are threaded differently.



The S-5! clamp is a handy gadget for a great many uses, but will not perform miracles. PLEASE USE THIS PRODUCT RESPONSIBLY! Any loads imposed on the S-5! clamp will be transferred to the panels. Panels must be adequately attached to building structure to resist these loads. For critical installations, inquire for specific test data of ultimate tensile load on specific panel materials and seam types. When tabled values are used, screw tensions should be verified and factors of safety should be used as appropriate. The manufacturer expresses no opinions as to the suitability of the S-5! for any specific application or project condition. ALWAYS PROVIDE WORKER FALL PROTECTION WHEN INSTALLING S-5!. THE S-5! CLAMP IS NOT APPROVED FOR USE AS A PERSONAL FALL RESTRAINT DEVICE
Copyright © 2007, Metal Roof Innovations, Ltd.

#2000 One-Pipe Clamp to the Seam Snow Guard for Standing Seam Metal Roofs