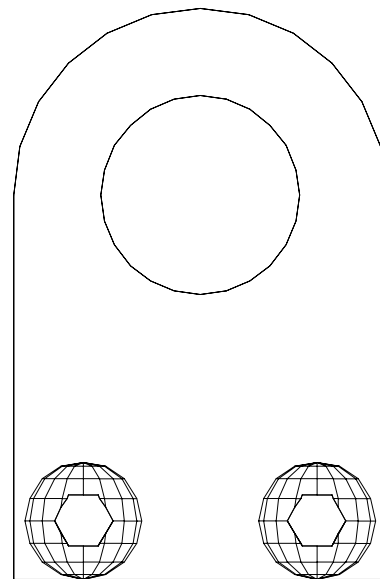
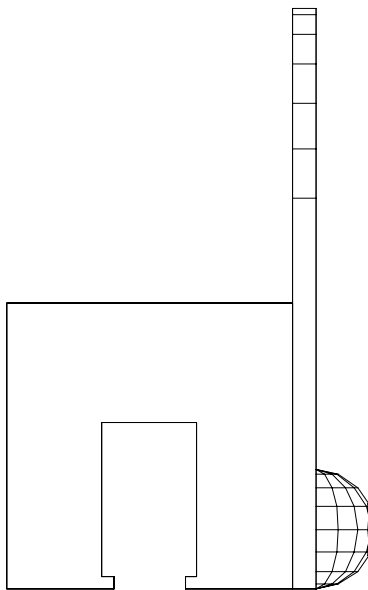
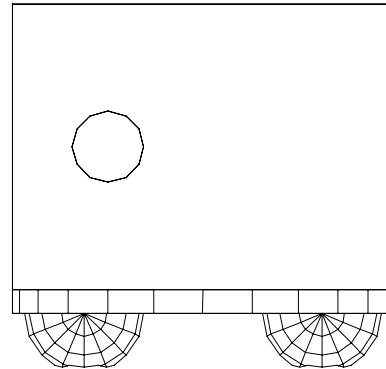
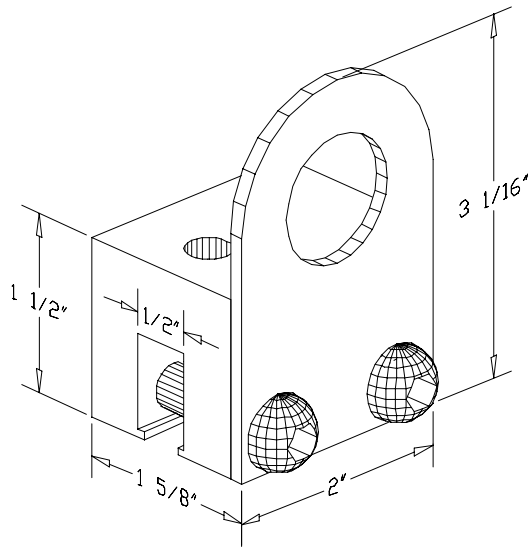




ALPINE SNOWGUARDS

A Division of Vermont Slate & Copper Services, Inc.

Web www.alpinesnowguards.com
E-mail info@alpinesnowguards.com
Toll Free Phone 1.888.766.4273
Toll Free Fax 1.888.766.9994
289 Harrell Street, Morrisville, VT 05661



#2000 One Pipe Snowguard Bracket for Standing Seam Using S-5! Technology

Document version 08.02.2004