



**#115R Pipe-style Snow Guard for Membrane Roofs**

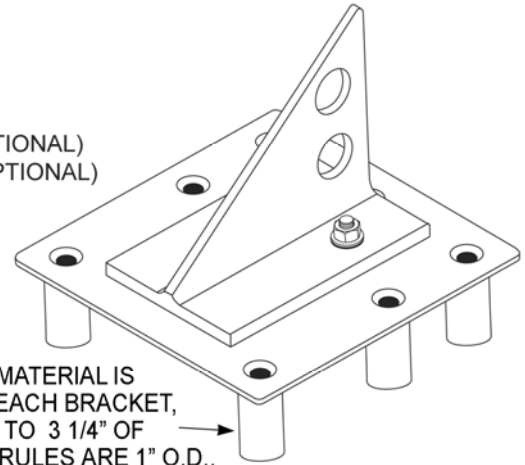
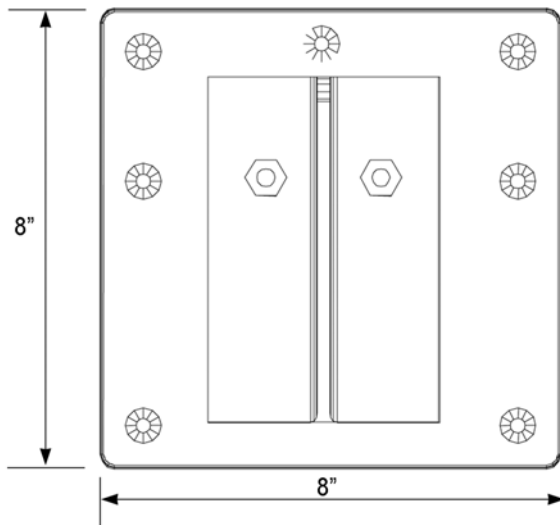
NOTES:

1. SNOW GUARDS TO BE INSTALLED ACCORDING TO MANUFACTURERS' SPECIFICATIONS.
2. DO NOT SCALE DRAWINGS.
3. CONTACT MANUFACTURER FOR DETAILED LAYOUT.
4. PRODUCTS MAY VARY FROM ILLUSTRATION.
5. ITEMS SUBJECT TO CHANGE WITHOUT NOTICE.

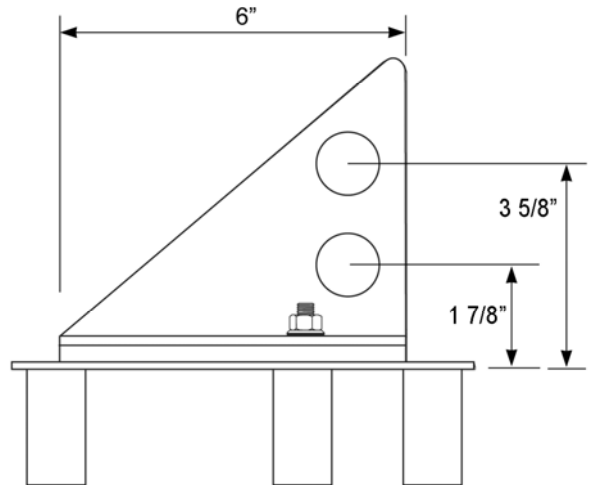
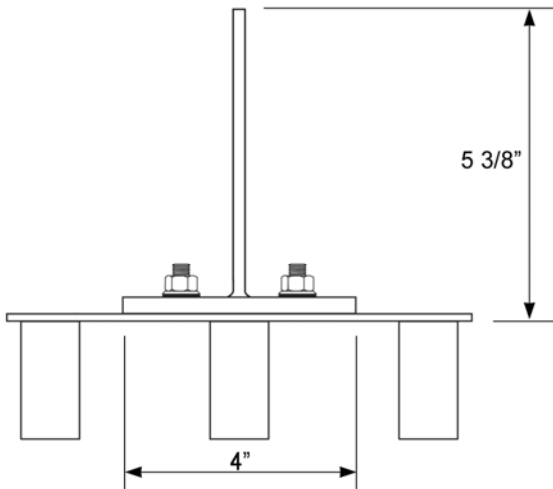
REVISIONS		
REV.	DESCRIPTION	DATE

- DESIRED PIPE CONFIGURATION
- FINISH
- 2 PIPE (SHOWN)
- 2 PIPE HI-HOLE
- 3 PIPE
- MILL FINISH (STANDARD)
- POWDER COAT
- RAL# \_\_\_\_\_

- PIPE SYSTEM
- PIPE
- COUPLINGS
- END COLLARS
- END CAPS
- ICE FLAGS (OPTIONAL)
- ICE SCREEN(OPTIONAL)



NOTE:  
24" OF FERRULE MATERIAL IS INCLUDED WITH EACH BRACKET, ENOUGH FOR UP TO 3 1/4" OF INSULATION. FERRULES ARE 1" O.D., 3/4" I.D. ALUMINUM.



**#115R Pipe-Style Snow Guard for Membrane Roofs**