



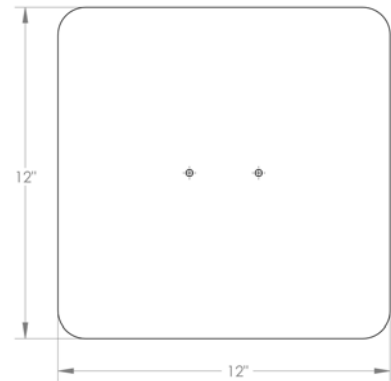
## #115 Pipe-Style Snow Guard for Membrane Roofs Assembly Instructions

### I. Base Plate (The base plate is the flat piece with the two threaded studs.)

- A Continuous block is required underneath the membrane roof surface to attach the base plate. This base flange is 8" long and 6" wide. Mounting this system over insulation alone may crush the insulation and cause the roof to leak.
- Place the base plate on top of the finished membrane roof. NOTE: The threaded studs on the base plate are not centered. For #115 installation, align the base plate so that the studs are on the up-slope end of the base plate.
- Before fastening base plate through membrane to mounting block below, apply a generous amount of acceptable sealer under the flange.
- Consult with manufacturer, project engineer or fastener company to determine the fastener required to attach the base plate to the wood block. See test information for assistance.

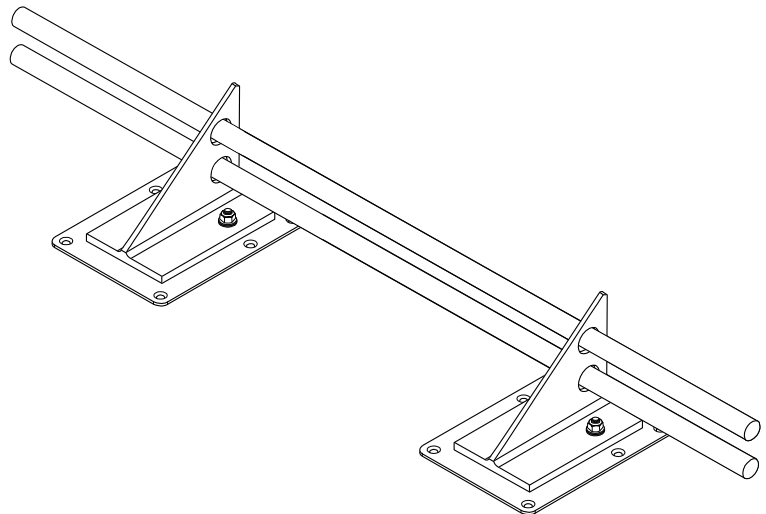
### II. Membrane Flashing of Base Plate

- Use an Alpine SnowGuards membrane patch or an acceptable piece of flashing material 12" square.
- Cut two small holes in membrane flashing to fit tightly over threaded studs.
- Before installing flashing apply a generous amount of acceptable sealer around threaded studs.
- Apply flashing over base plate using proper mastics or installation techniques so as to create a water tight patch.
- The threaded studs are now the only part of the base plate exposed. NOTE: Due to the sealer applied around the studs there may be bleed out at this opening. When the snow guard block is installed over the studs and tightened this bleed out will help to create a water tight compression fitting.



### III. Installation of snow guard block

- Install snow guard block over threaded studs. The Block will be centered on the base plate when installed properly.
- Place one neoprene bonded washer over each stud.
- Place stainless nut over neoprene bonded washer and tighten.
- Insert tubing through the holes in the uprights.



### IV. Locking Collars, End Caps, and Ice Flags (optional)

- Locking collars (#65) should be placed over each end of each line of tubing. Center the tubing on the snow guards and tighten the set screw on the collar until it no longer slips.
- End caps (#56) are installed by pressing the cap into the end of the pipe.
- Ice flags (#95), if used, should be placed over the top tube so that the long leg rests against the uphill side of both tubes. Use the carriage bolt and nut to hold the ice flag in position. **Note: Ice Flags should not touch roof surface.**

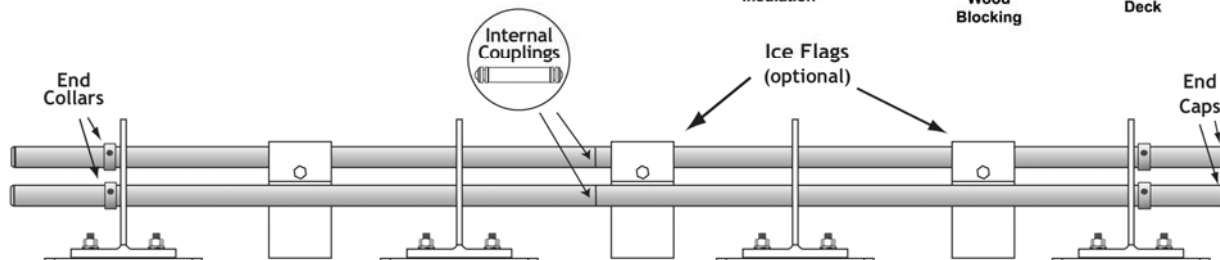
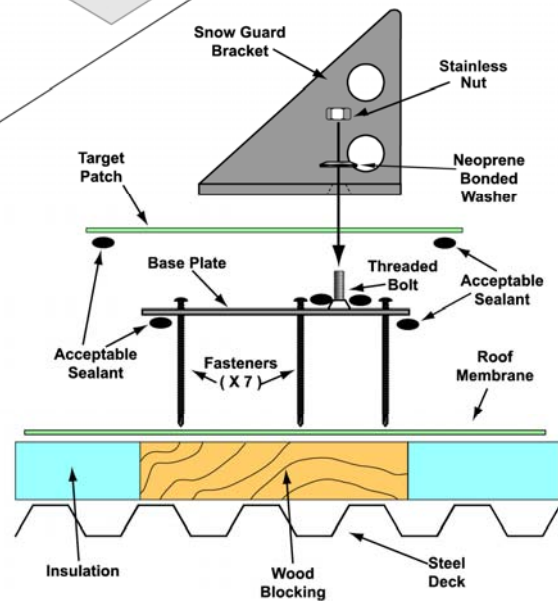
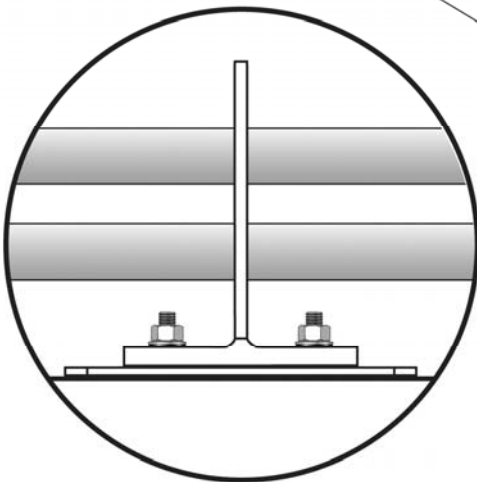
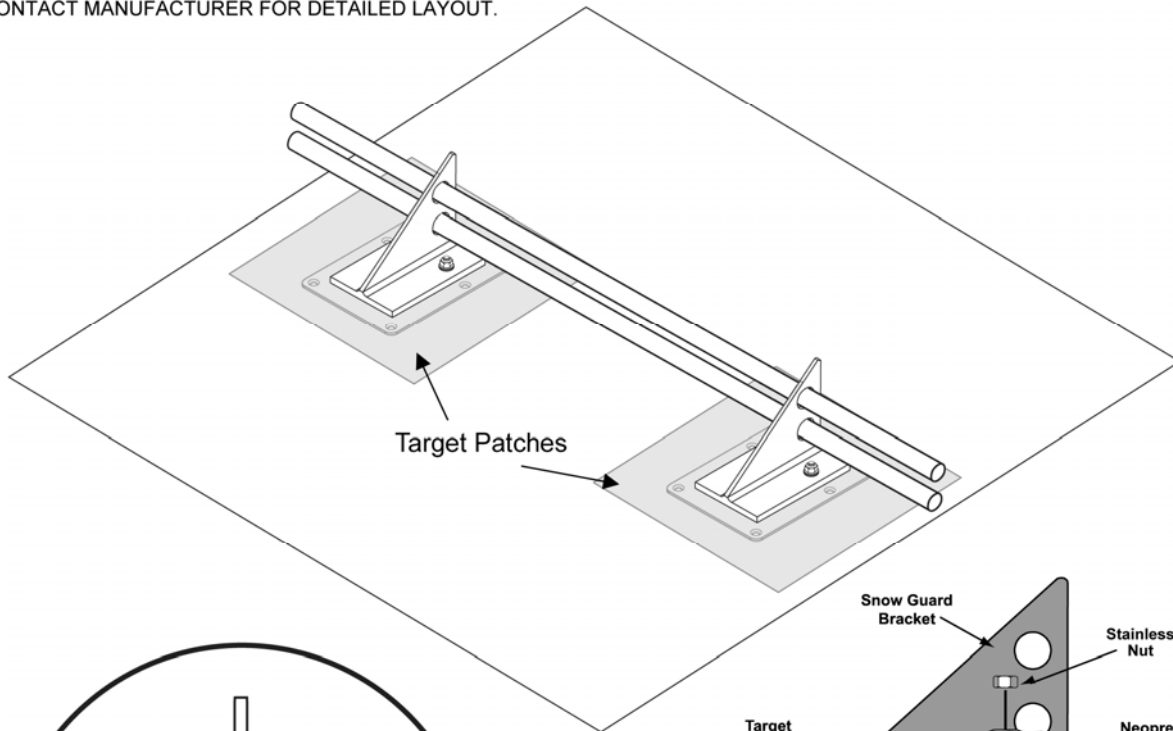
## #115 Pipe-Style Snow Guard for Membrane Roofs



**#115 Installation Detail**

- NOTES:  
1. INSTALLATION TO BE COMPLETED IN ACCORDANCE WITH MANUFACTURER'S SPECIFICATIONS.  
2. DO NOT SCALE DRAWINGS.  
3. CONTACT MANUFACTURER FOR DETAILED LAYOUT.

REVISIONS		
REV.	DESCRIPTION	DATE



**#115 Pipe-Style Snow Guard for Membrane Roofs**