



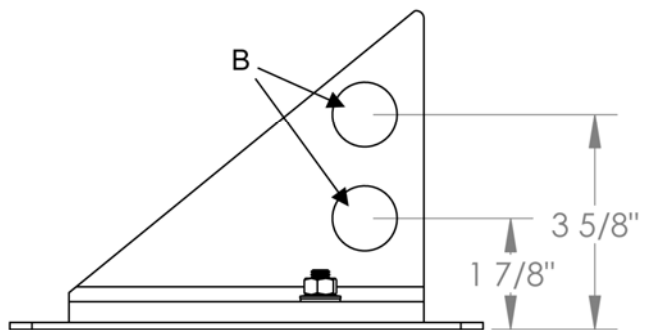
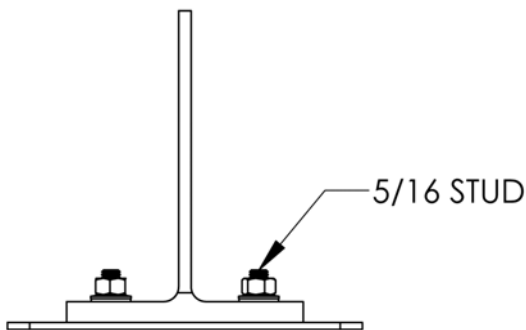
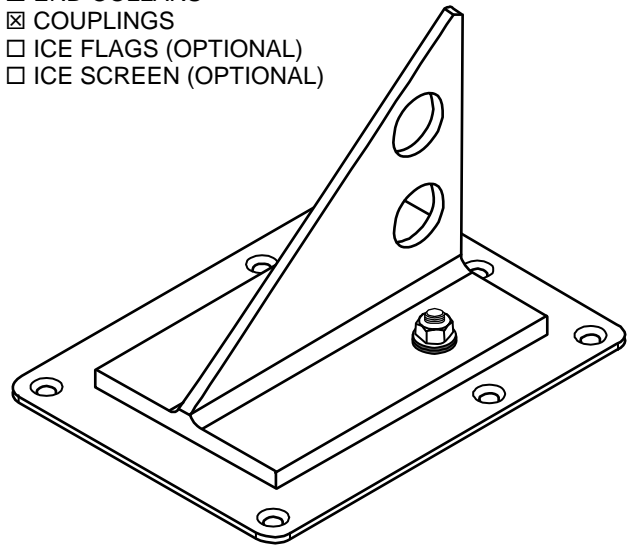
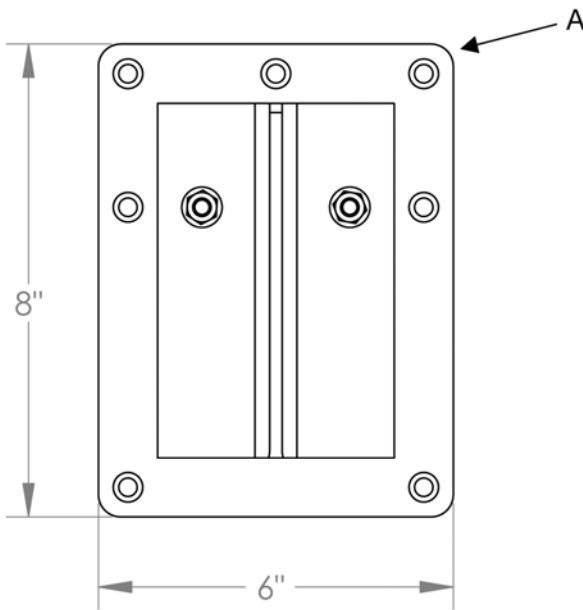
**#115 Pipe-style Snow Guard for Membrane Roofs**

NOTES;

1. SNOW GUARDS TO BE INSTALLED ACCORDING TO MANUFACTURER'S SPECIFICATIONS.
2. DO NOT SCALE DRAWINGS.
3. CONTACT MANUFACTURER FOR DETAILED LAYOUT.
4. PRODUCTS MAY VARY FROM ILLUSTRATION.

REVISIONS		
REV.	DESCRIPTION	DATE
A	ROUNDED CORNERS ON BASE PLATE	3/12/2008
B	CHANGED HOLE PATTERN ON BRACKET	3/12/2008

- CONFIGURATION
  - 2 PIPE (SHOWN)
  - 2 PIPE HI-HOLE
  - 3 PIPE
- PIPE SYSTEM COMPONENTS
  - PIPE
  - END CAPS
  - END COLLARS
  - COUPLINGS
  - ICE FLAGS (OPTIONAL)
  - ICE SCREEN (OPTIONAL)
- MATERIAL
  - ALUMINUM
- FINISH
  - MILL (STANDARD)
  - POWDER COATED
  - RAL: # \_\_\_\_\_



**#115 Pipe-Style Snow Guard for Membrane Roofs**