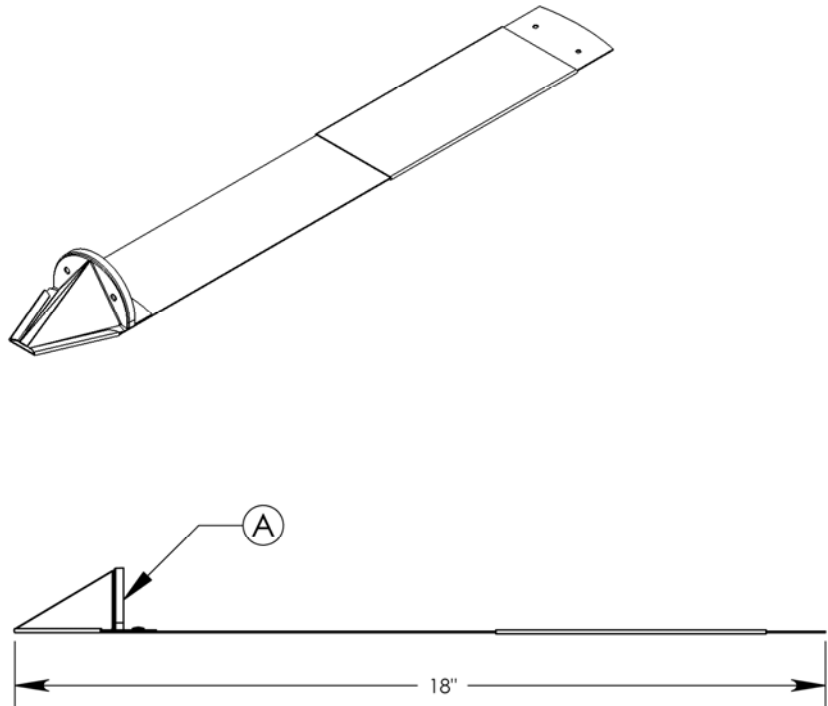
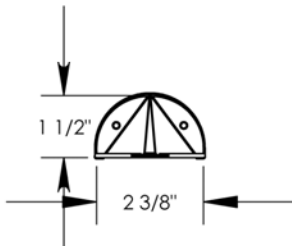
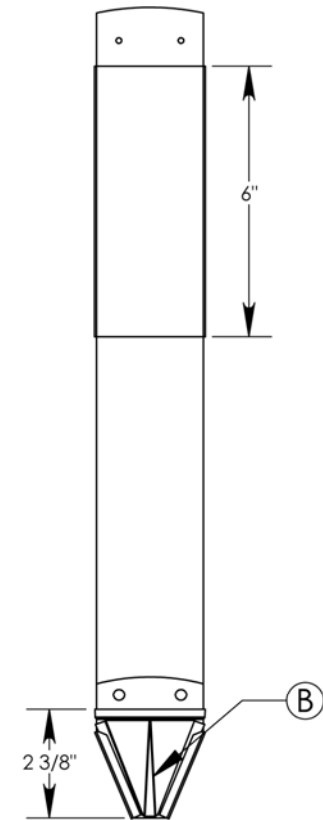


**NOTES:**

1. SNOW GUARDS TO BE INSTALLED ACCORDING TO MANUFACTURER'S SPECIFICATIONS.
2. DO NOT SCALE DRAWINGS.
3. CONTACT MANUFACTURER FOR CUSTOM MATERIALS AND COLORS.
4. CONTACT MANUFACTURER FOR SUGGESTED LAYOUT.

REVISIONS		
REV.	DESCRIPTION	DATE
A	CHANGE DIRECTION OF SNOW PAD	01/01/06
B	NEW GUSSET DESIGN	6/19/2006



MATERIAL

- |   |                                       |
|---|---------------------------------------|
| <input type="checkbox"/> COPPER             | <input type="checkbox"/> FREEDOM GRAY |
| <input type="checkbox"/> ZINC               | <input type="checkbox"/> GALVALUME    |
| <input type="checkbox"/> LEAD-COATED COPPER | <input type="checkbox"/> POWDER COAT  |
| <input type="checkbox"/> COPPER             | <input type="checkbox"/> MILL FINISH  |
| <input type="checkbox"/> ALUMINUM           |                                       |
| <input type="checkbox"/> POWDER COAT        |                                       |
| <input type="checkbox"/> PAINTED            |                                       |
| <input type="checkbox"/> MILL FINISH        |                                       |

## #11 Pad-Style Snow Guard for Existing Slate, Flat Tile and Cedar Shingle Roofs