



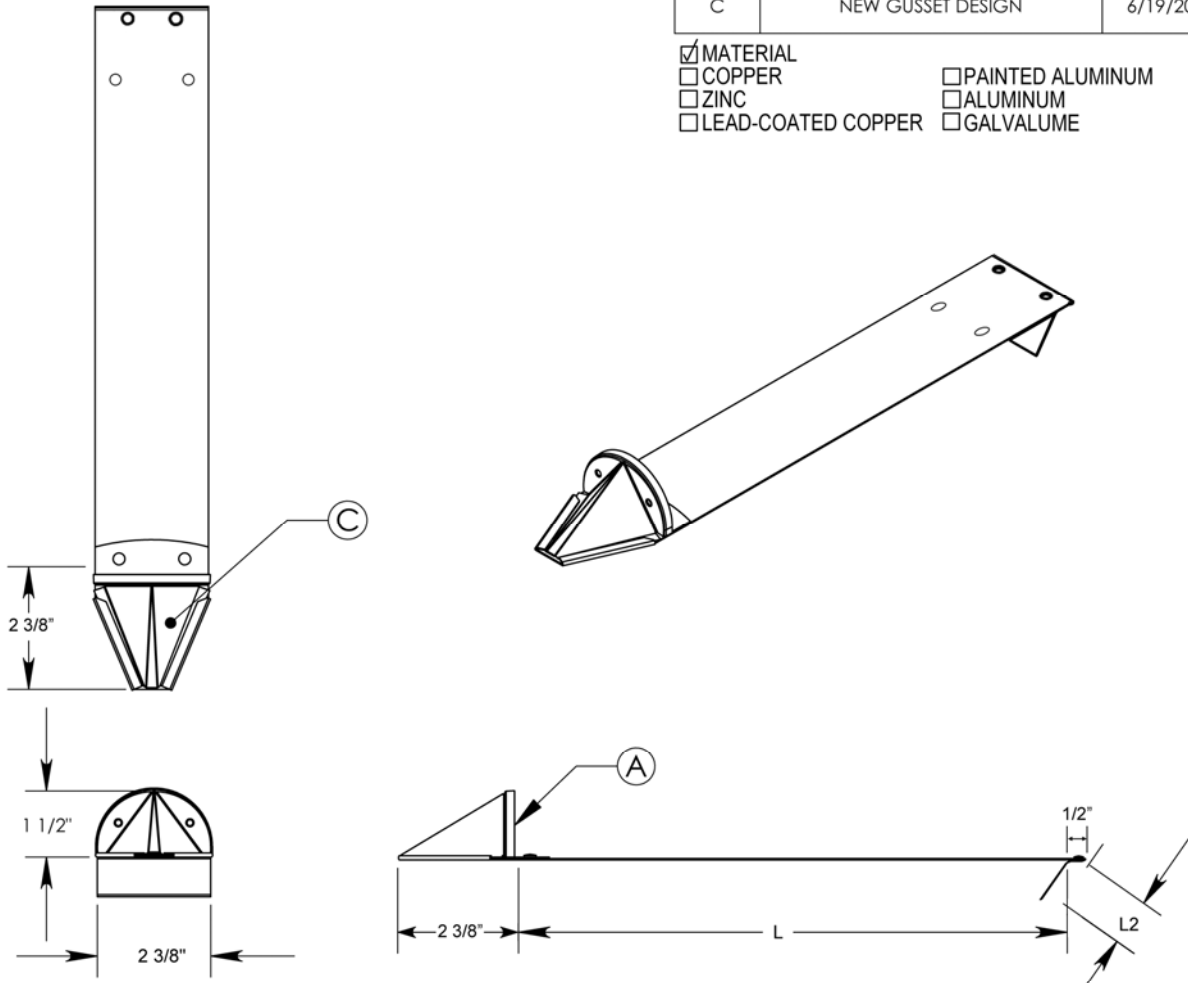
## #10 Pad-style Snow Guard for Existing Slate Roofs

**NOTES:**

1. SNOW GUARDS TO BE INSTALLED ACCORDING TO MANUFACTURER'S SPECIFICATIONS.
2. DO NOT SCALE DRAWINGS.
3. CONTACT MANUFACTURER FOR CUSTOM MATERIALS AND COLORS.
4. CONTACT MANUFACTURER FOR SUGGESTED LAYOUT.

REVISIONS		
REV.	DESCRIPTION	DATE
A	CHANGE DIRECTION OF SNOW PAD	01/01/06
C	NEW GUSSET DESIGN	6/19/2006

- MATERIAL  
 COPPER  
 ZINC  
 LEAD-COATED COPPER  
 PAINTED ALUMINUM  
 ALUMINUM  
 GALVALUME



**NOTE: THE STANDARD SIZE FOR THE #10R IS 13 3/8" (L), WITH A 1 1/4" HOOK (L2). THIS WILL FIT SLATE FROM 16" TO 20" LONG. FOR OTHER SIZES USE THE FORM BELOW. OVERALL LENGTH FOR STANDARD #10R IS 15 3/4".**

**SPECIFY DIMENSIONS L AND L2 TO FIT YOUR SLATE OR TILE**

**CUSTOM:** STRAP LENGTH L=  HOOK THICKNESS L2=   
1/2" minimum

## Standard/Custom #10R Pad-Style Snow Guard for Existing Slate and Flat Tile Roofs