



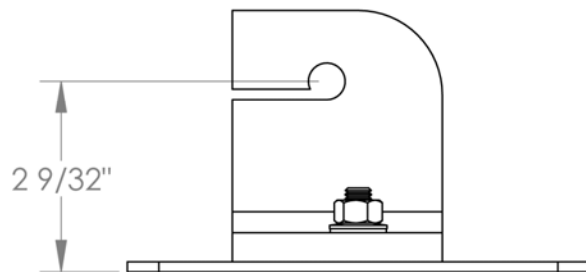
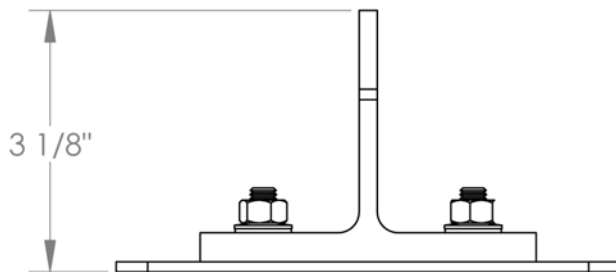
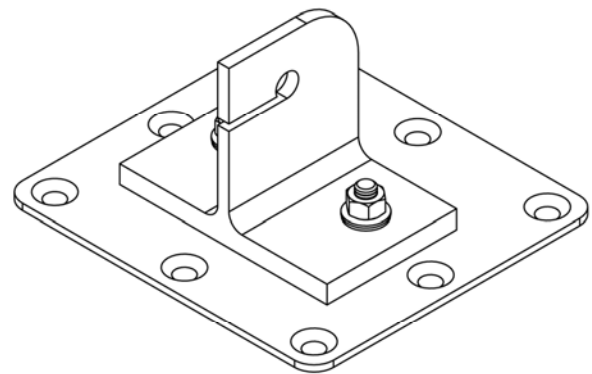
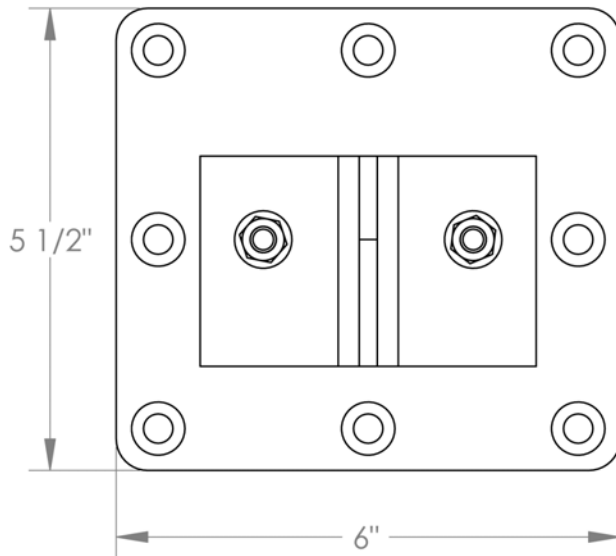
#015S One Bar/Rail Snow Guard for Membrane Roofs

NOTES;

1. SNOW GUARDS TO BE INSTALLED ACCORDING TO MANUFACTURER'S SPECIFICATIONS.
2. DO NOT SCALE DRAWINGS.
3. CONTACT MANUFACTURER FOR DETAILED LAYOUT.
4. PRODUCTS MAY VARY FROM ILLUSTRATION.
5. ITEMS SUBJECT TO CHANGE WITHOUT NOTICE.

REVISIONS		
REV.	DESCRIPTION	DATE
A	RAISED BAR HEIGHT ¾"	4/12/2006
B	CHANGED BASE PLATE SIZE	3/13/2008

- | | |
|---|--|
| <input checked="" type="checkbox"/> CONFIGURATION | <input checked="" type="checkbox"/> BRACKET MATERIAL |
| <input checked="" type="checkbox"/> 1 BAR (SHOWN) | <input checked="" type="checkbox"/> ALUMINUM |
| <input checked="" type="checkbox"/> BAR SYSTEM COMPONENTS | <input checked="" type="checkbox"/> BASE PLATE |
| <input checked="" type="checkbox"/> #76 BAR | <input checked="" type="checkbox"/> STAINLESS STEEL |
| <input type="checkbox"/> 2" INSERT (OPTIONAL) | |
| <input type="checkbox"/> APINE FLASHING (OPTIONAL) | |



#015S Snow Guard for Membrane Roofs