



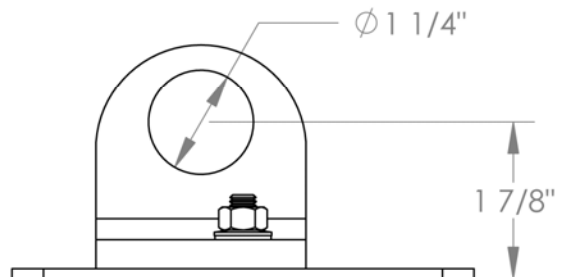
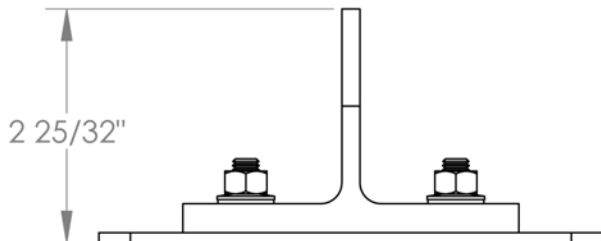
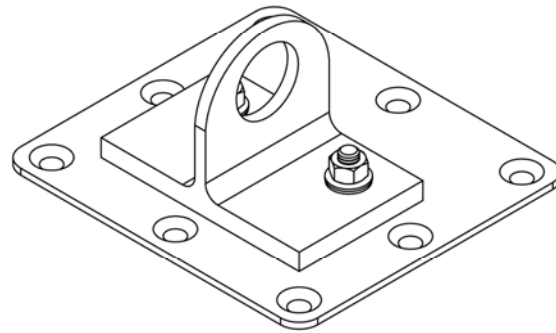
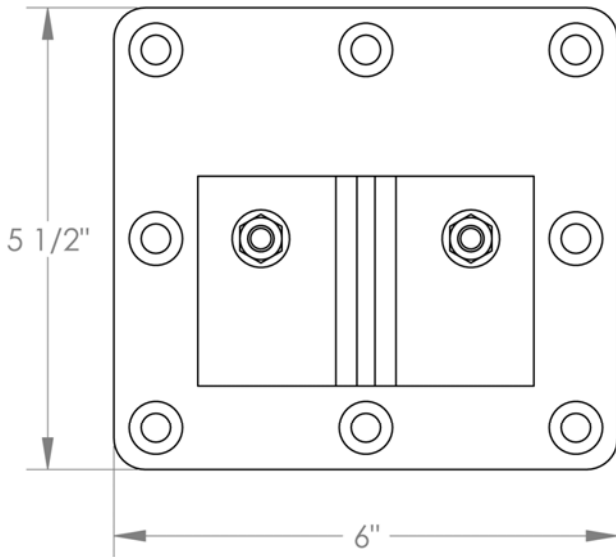
#015 One Pipe Snow Guard for Membrane Roofs

NOTES;

1. SNOW GUARDS TO BE INSTALLED ACCORDING TO MANUFACTURER'S SPECIFICATIONS.
2. DO NOT SCALE DRAWINGS.
3. CONTACT MANUFACTURER FOR DETAILED LAYOUT.
4. PRODUCTS MAY VARY FROM ILLUSTRATION.

REVISIONS		
REV.	DESCRIPTION	DATE
A	CHANGE BASE PLATE SIZE	3/12/2008

- | | |
|--|--|
| <input checked="" type="checkbox"/> CONFIGURATION | <input checked="" type="checkbox"/> MATERIAL |
| <input checked="" type="checkbox"/> 1 PIPE (SHOWN) | <input checked="" type="checkbox"/> ALUMINUM |
| <input checked="" type="checkbox"/> PIPE SYSTEM COMPONENTS | <input checked="" type="checkbox"/> FINISH |
| <input checked="" type="checkbox"/> PIPE | <input type="checkbox"/> MILL (STANDARD) |
| <input checked="" type="checkbox"/> END CAPS | <input type="checkbox"/> POWDER COATED |
| <input checked="" type="checkbox"/> END COLLARS | <input type="checkbox"/> RAL: # _____ |
| <input checked="" type="checkbox"/> COUPLINGS | |
| <input type="checkbox"/> ICE FLAGS (OPTIONAL) | |
| <input type="checkbox"/> ICE SCREEN (OPTIONAL) | |



#015 Pipe-Style Snow Guard for Membrane Roofs